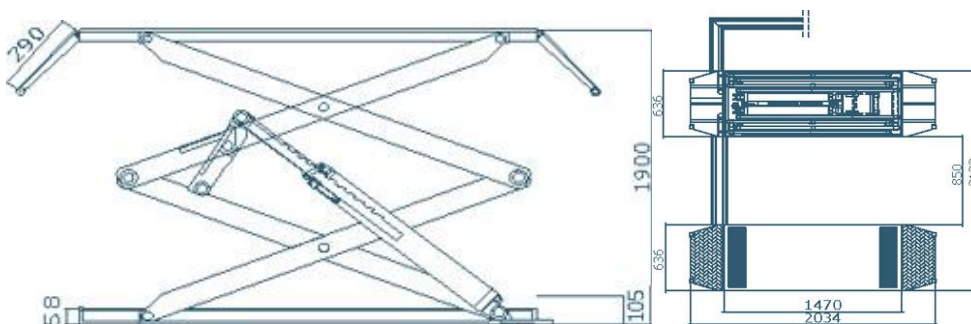


F3000 Scissor Lift

3.5Ton Son-Mother Sissor Lift

1. The differential hydraulic system is convenient for balance, and keeps good synchrony.
2. The front turn-plate is adjustable for various car types.
3. Mechanical gear lock keeps safe and credibility.
4. Using imported screw thread valve, which is safe and credibility.



Lifting Capacity	3000kg
Lifting Height	1900mm
Lowest Height	105mm
Table Length	1470mm
Table Width	636mm
Lifting Time	50s
Lowering Time	65s
Power Supply	380/220V