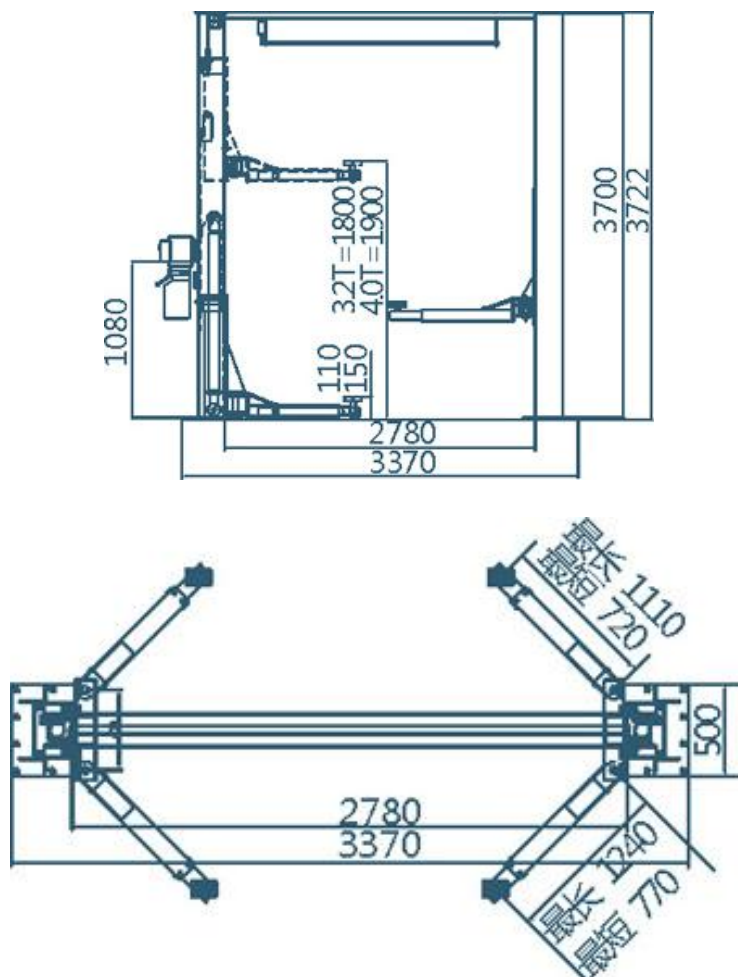


C3200/C4000 Two Post Duplex Gantry Hydraul

3.2/4.0 Ton Two Post Duplex Gantry Hydrauliclift

This Gantry lift is elegant in appearance, with low noise, fine synchronous performance, two posts consisting of rocker arm safety so as to guarantee the security in going up and down. By installing two electric apparatus limit location devices, it can eliminate the phenomenon of roof being crushed totally in the course of lifting.

Each slippery body adopts 8 heat-wear-resisting slide blocks which guarantee slippery body and posts get up to the best state in bearing strength and impel the machine to go up and down steadily. It is one the most ideal purchase equipment in the line of automobile maintenance.



Model	C3200	C4000
Lifting Capacity	3200kg	4000kg
Lifting Height	1800mm	1900mm
Lowest Height	110mm	150mm
Height of Post	3722mm	3722mm
Width between posts	2780mm	2780mm
Mount Width	3370mm	3370mm
Lifting Time	55s	55s
Lowering Time	50s	50s
Motor Power	2.2kw	2.2kw
Power Supply	380/220v	380/220v