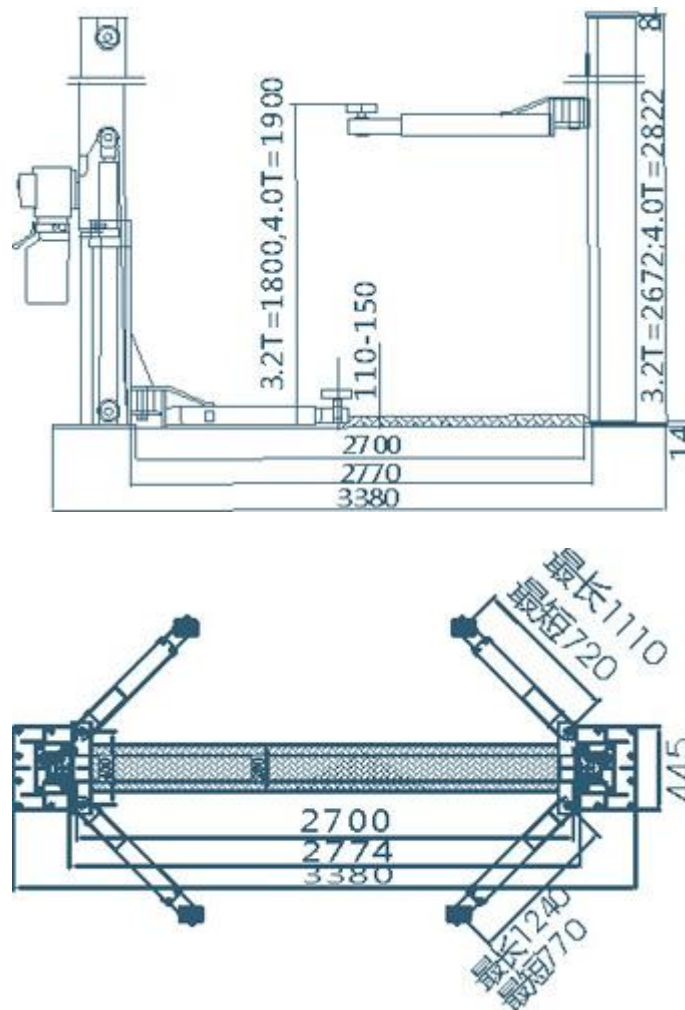


B3200/B4000 Two Post Lift

3.2/4.0 Ton Two Post Simplex-cylinder Hydraulic Lift

slippery platform, each slippery platform has 8 heat-wear-resisting slip blocks which make the post, slippery platform and slip blocks up to the best state of strength bear. The balance system of lift adopts the standard steel wire rope of aviation so as to ensure that the vehicle remains acclinic when lifting and drop. The design of simplex-cylinder is convenient for adjustment and keeps the balance. It has a baseplate to strengthen the coefficient of safe use.



Model	B3200	B4000
Lifting Capacity	3200kg	4000kg
Lifting Height	1800mm	1900mm
Lowest Height	110-150mm	110-150mm
Height of Post	2672mm	2822mm
Width between posts	2770mm	2770mm
Mount Width	3380mm	3380mm
Lifting Time	55s	55s
Lowering Time	50s	50s
Motor Power	2.2kw	2.2kw
Power Supply	380/220v	380/220v